
PARTS CATALOG



Gasoline Engine Pump

Model

PTG205 No. 2

 FUJI HEAVY INDUSTRIES LTD.

ISSUE EMD-PP0869

FIG. 1 PUMP

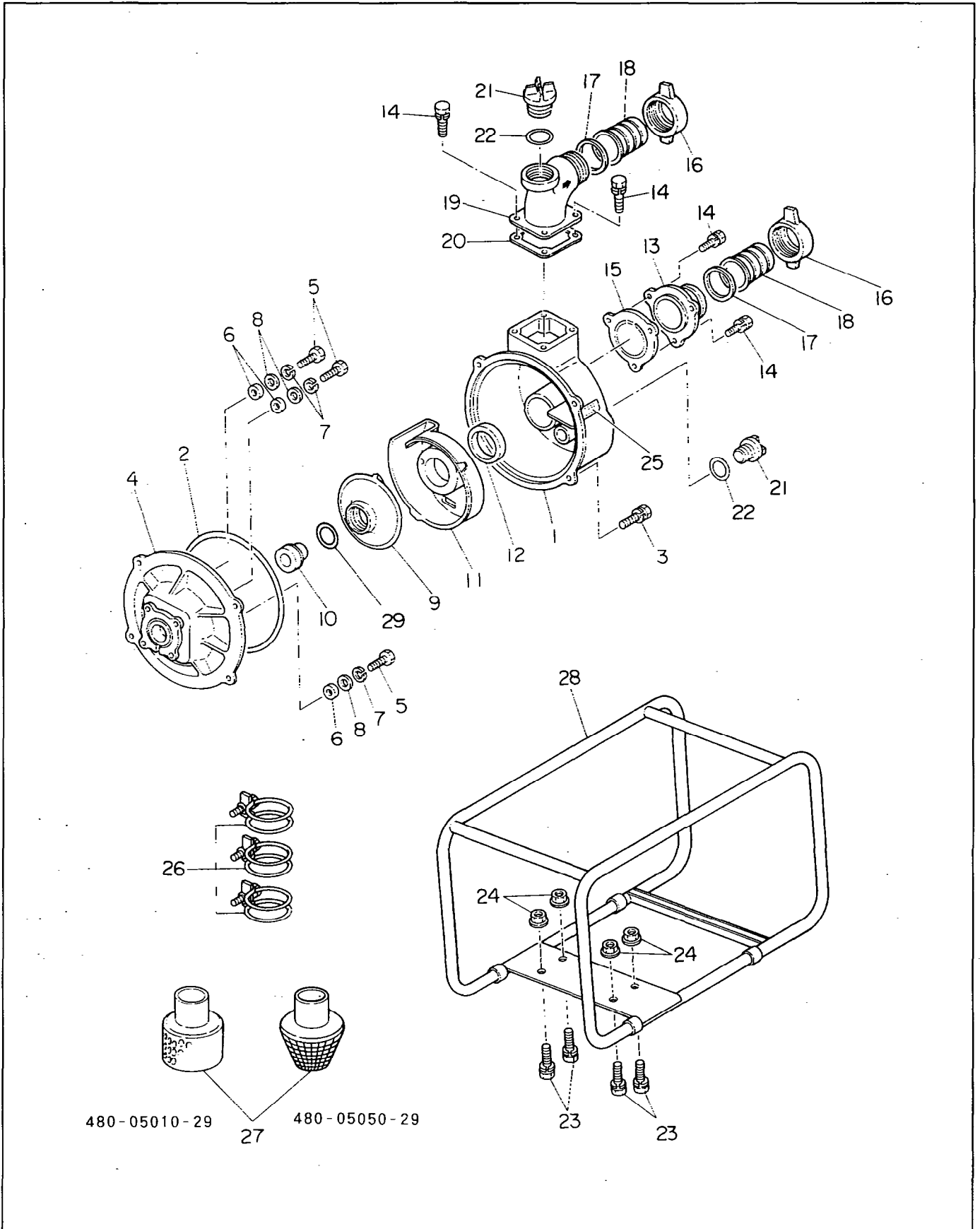


FIG. 2 CRANKCASE

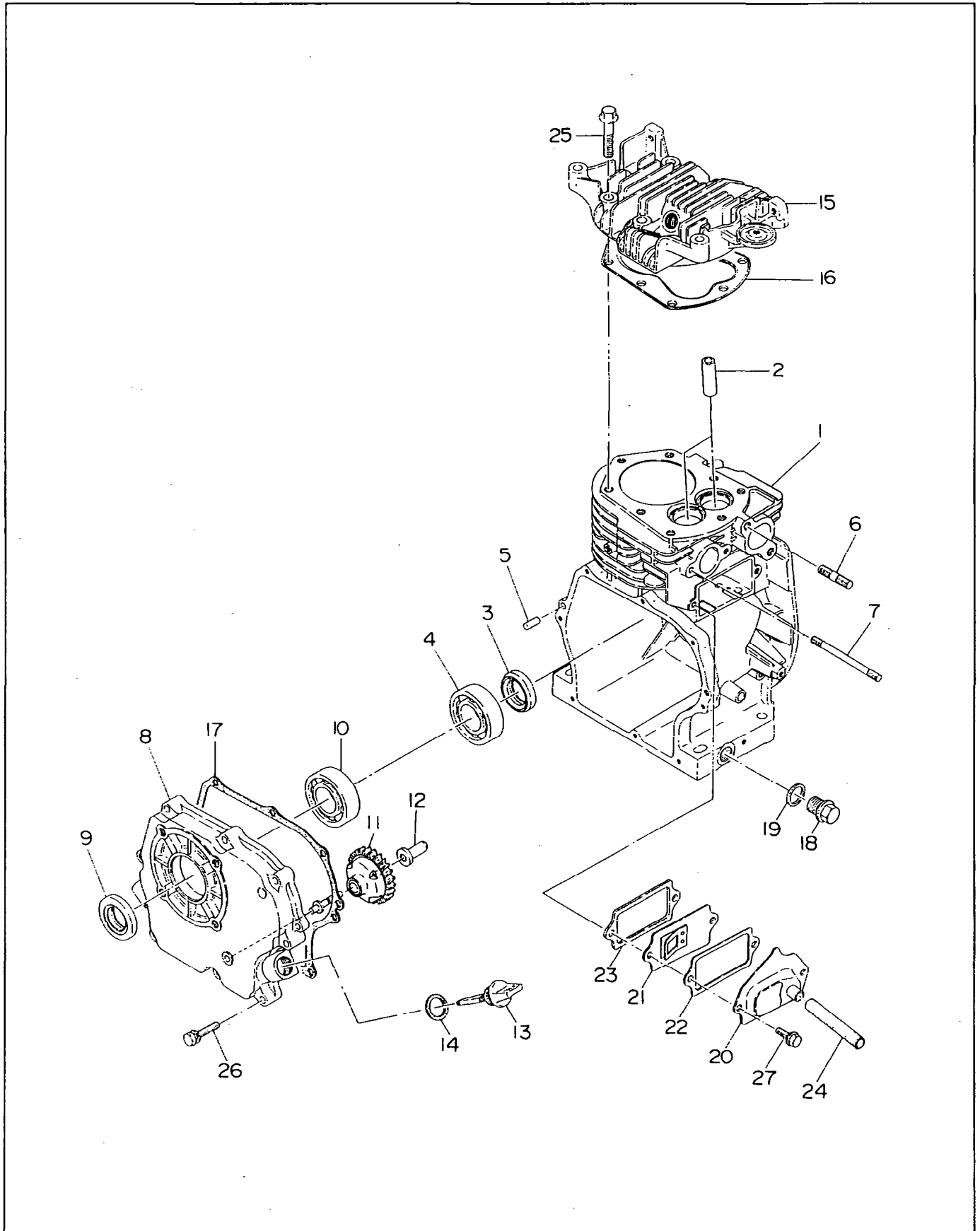


FIG. 3 CRANKSHAFT and PISTON

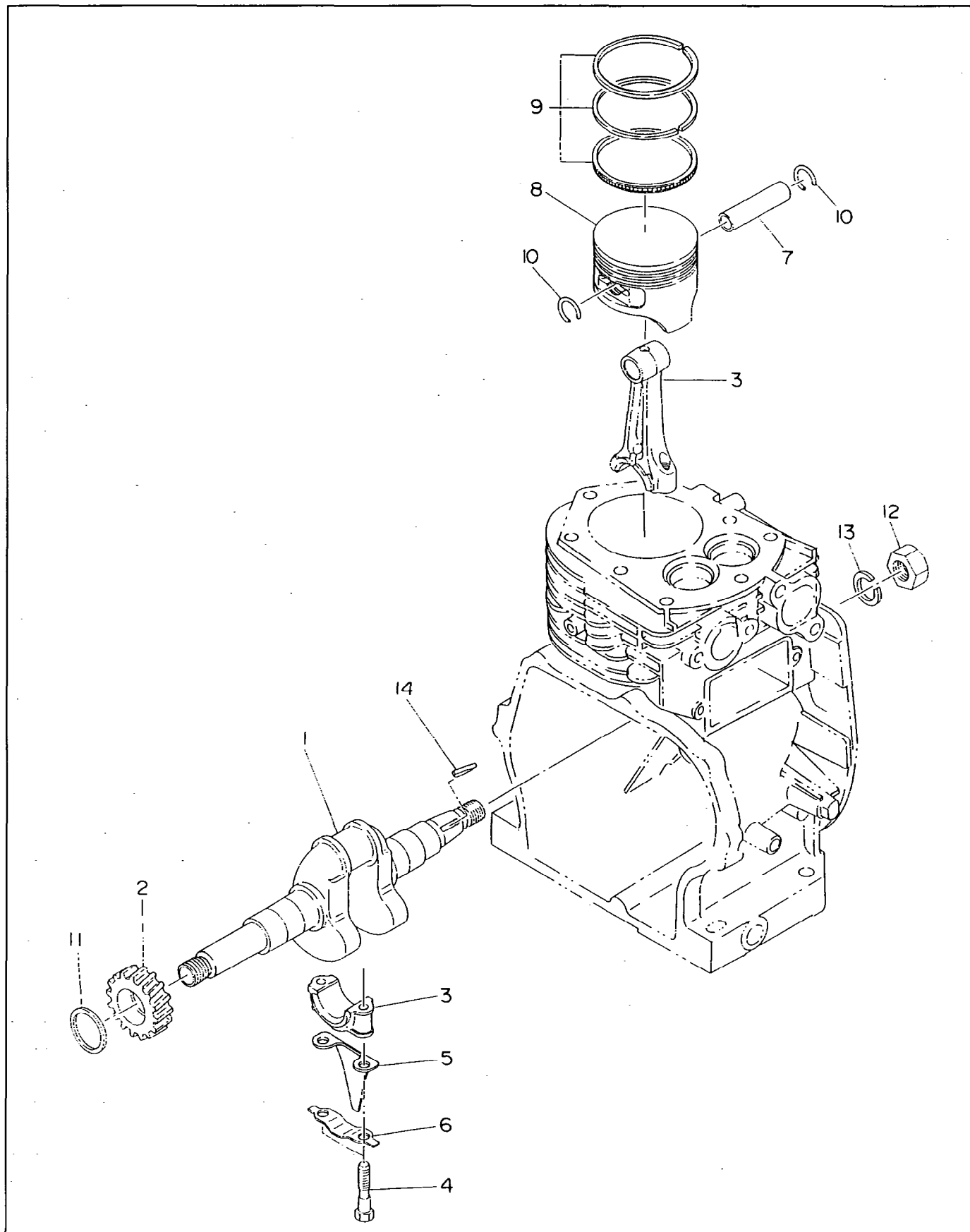


FIG. 4 INTAKE and EXHAUST

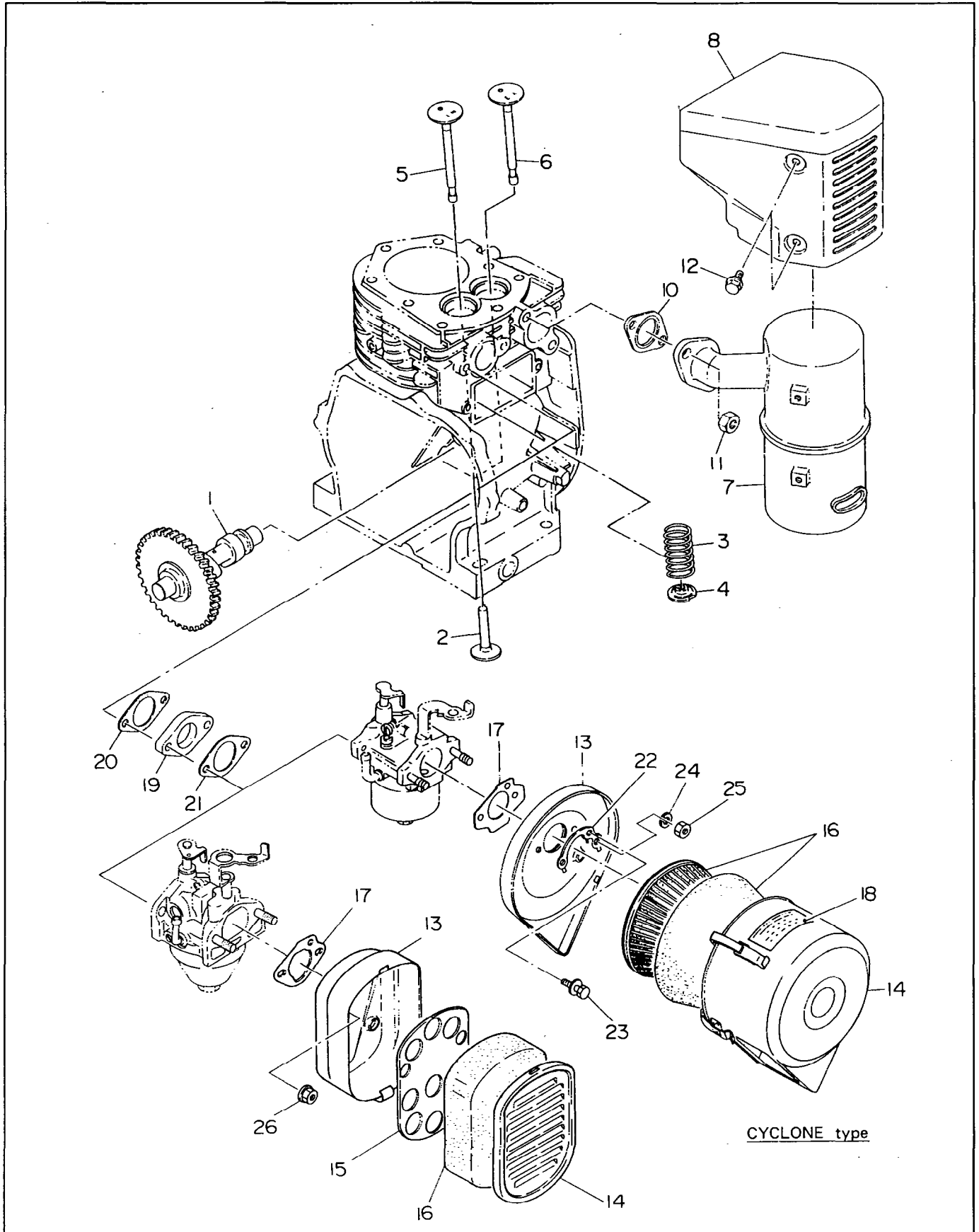


FIG. 5 GOVERNOR, OPERATE

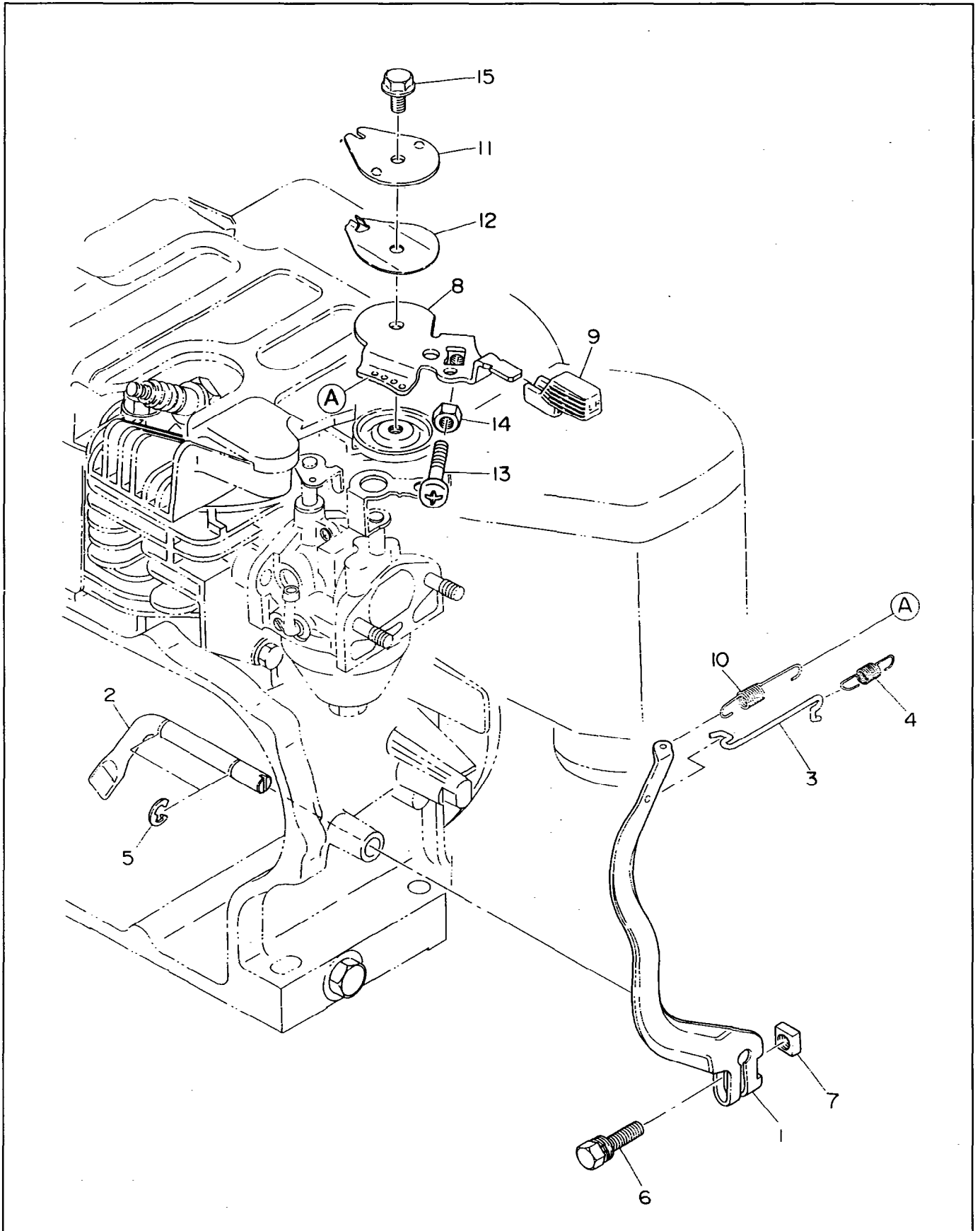


FIG. 6 COOLING and STARTING(UP TO SEP. '88)

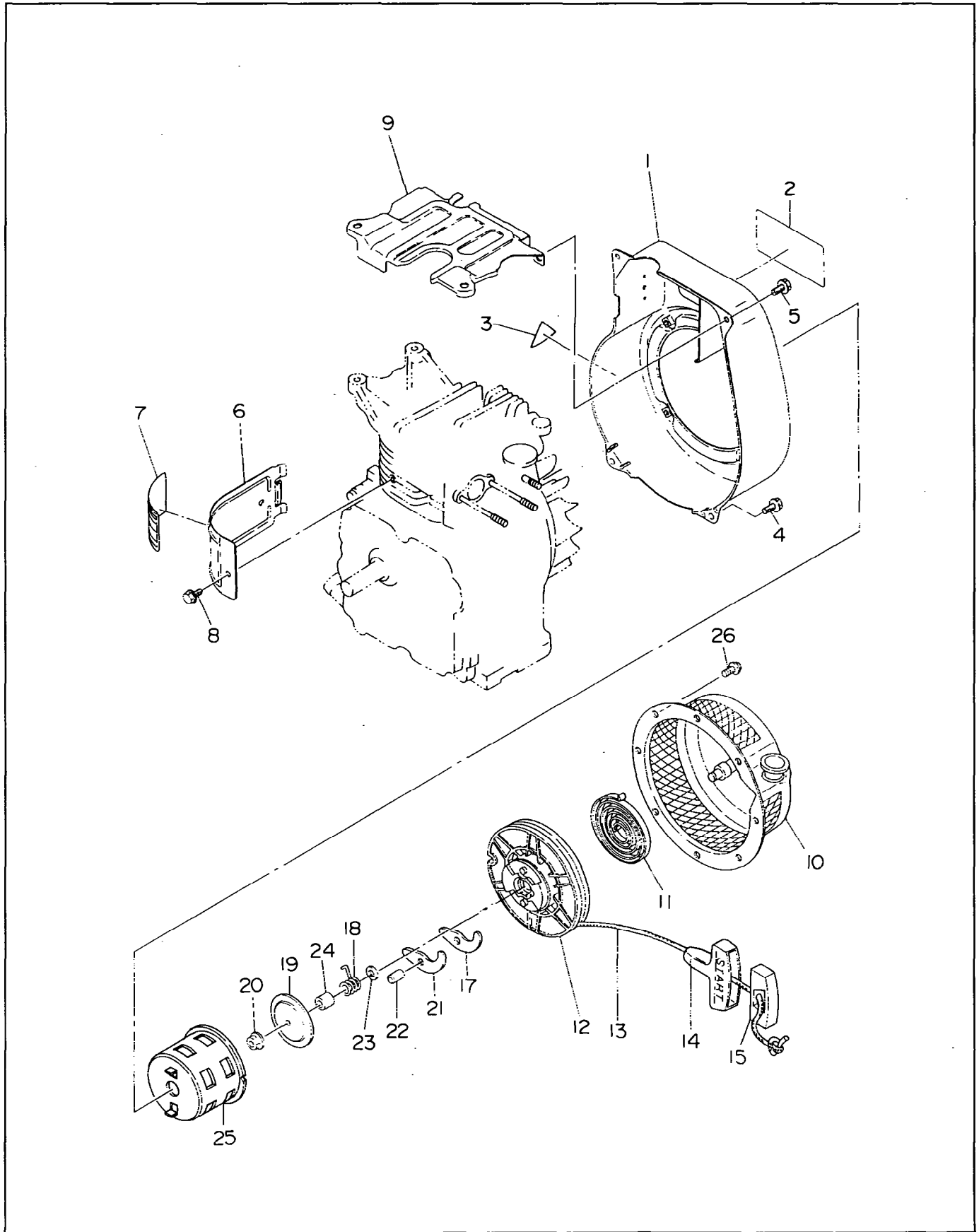


FIG. 6 COOLING and STARTING(AFTER OCT. '88)

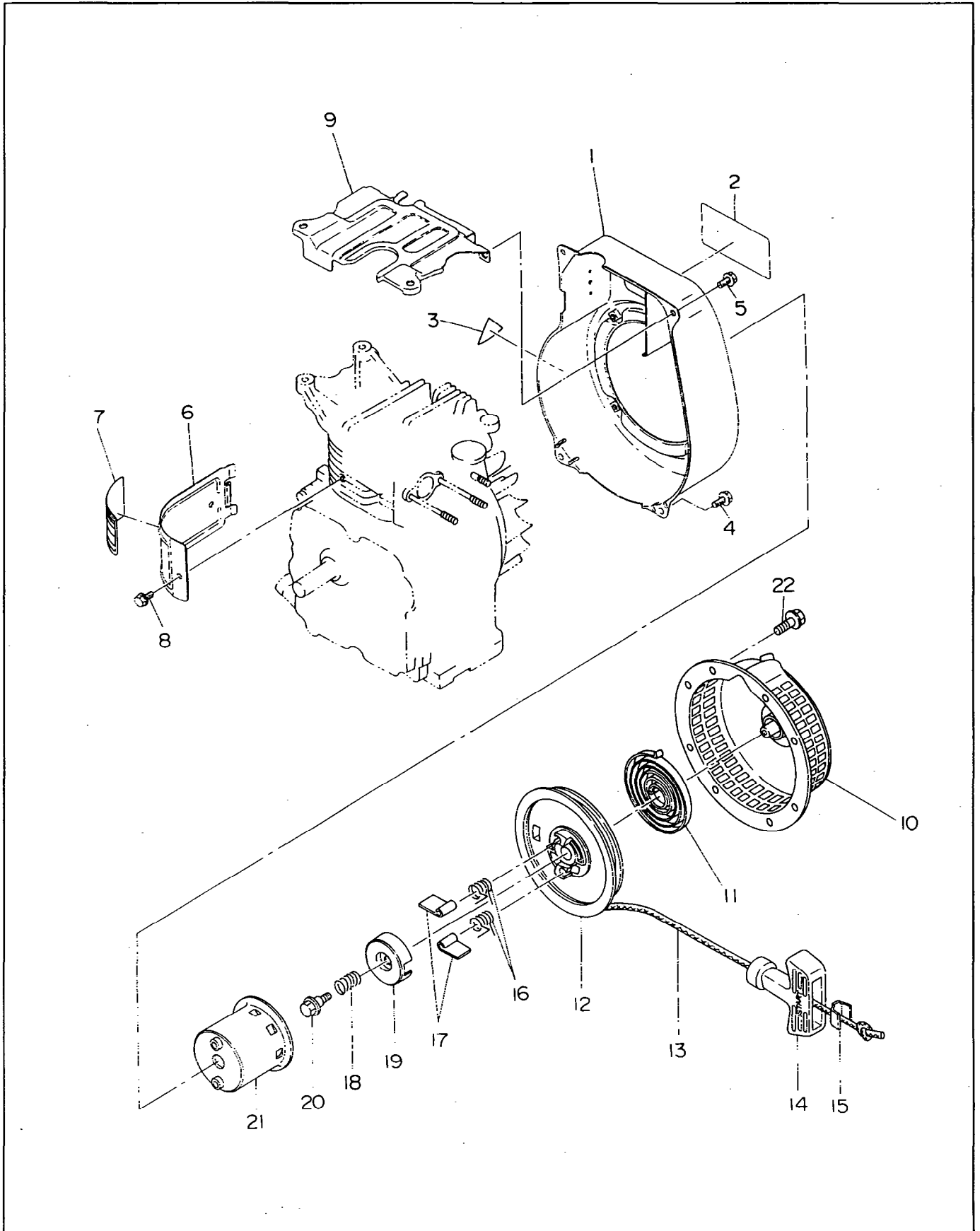


FIG. 7 FUEL, LUBRICANT(UP TO SEP. '88)

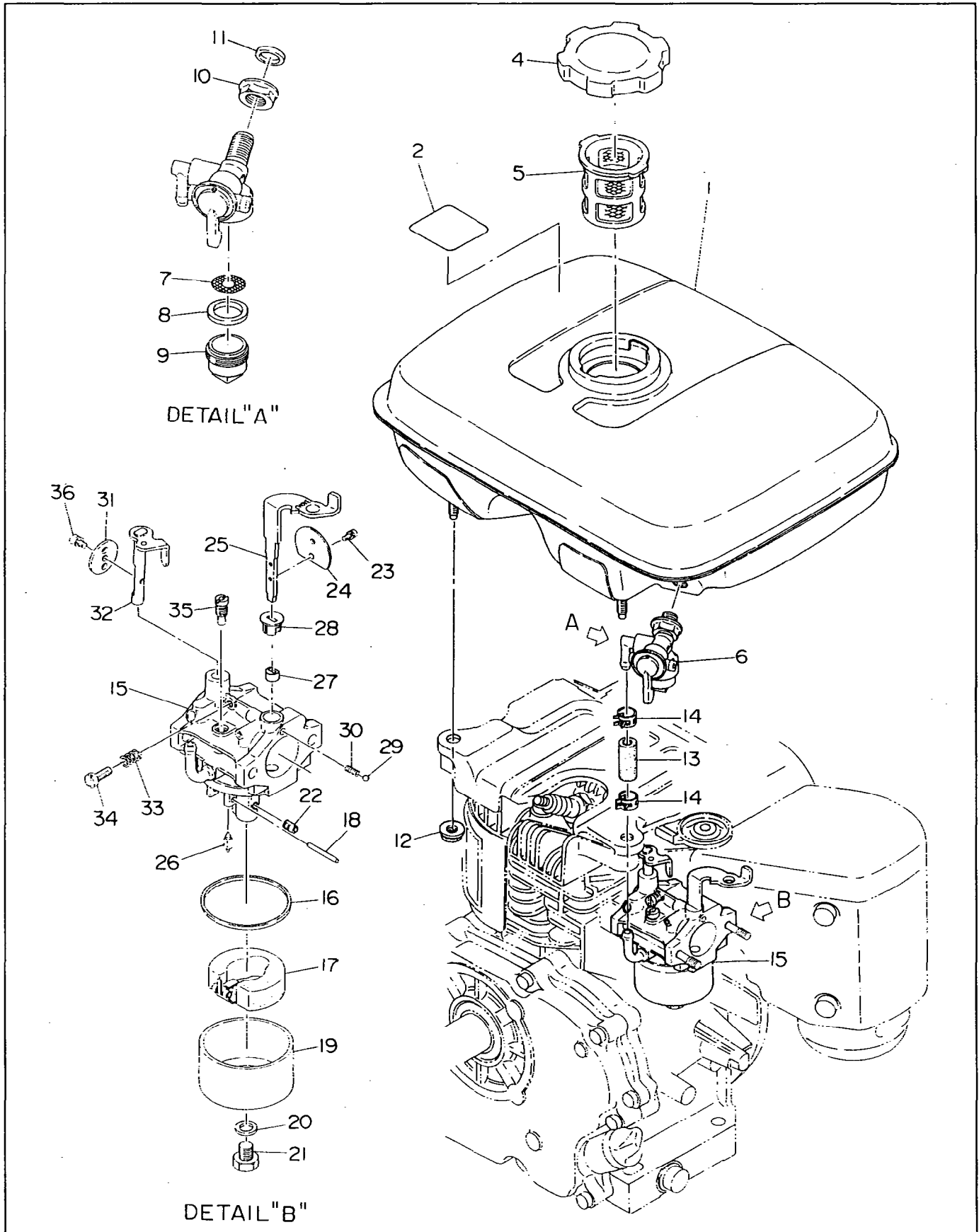


FIG. 7 FUEL, LUBRICANT(AFTER OCT. '88)

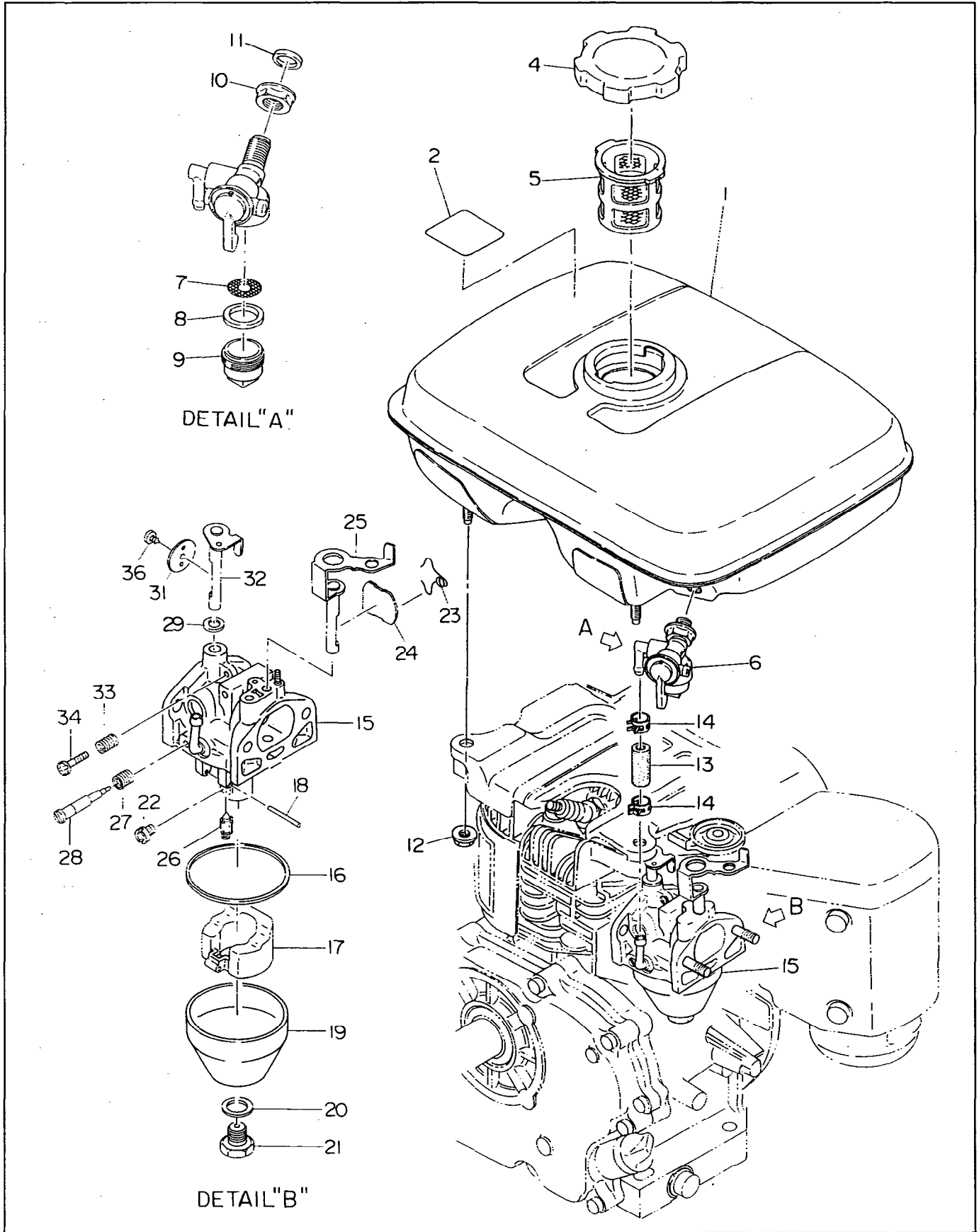


FIG. 7 FUEL, LUBRICANT(CYCLONE type AIR CLEANER)

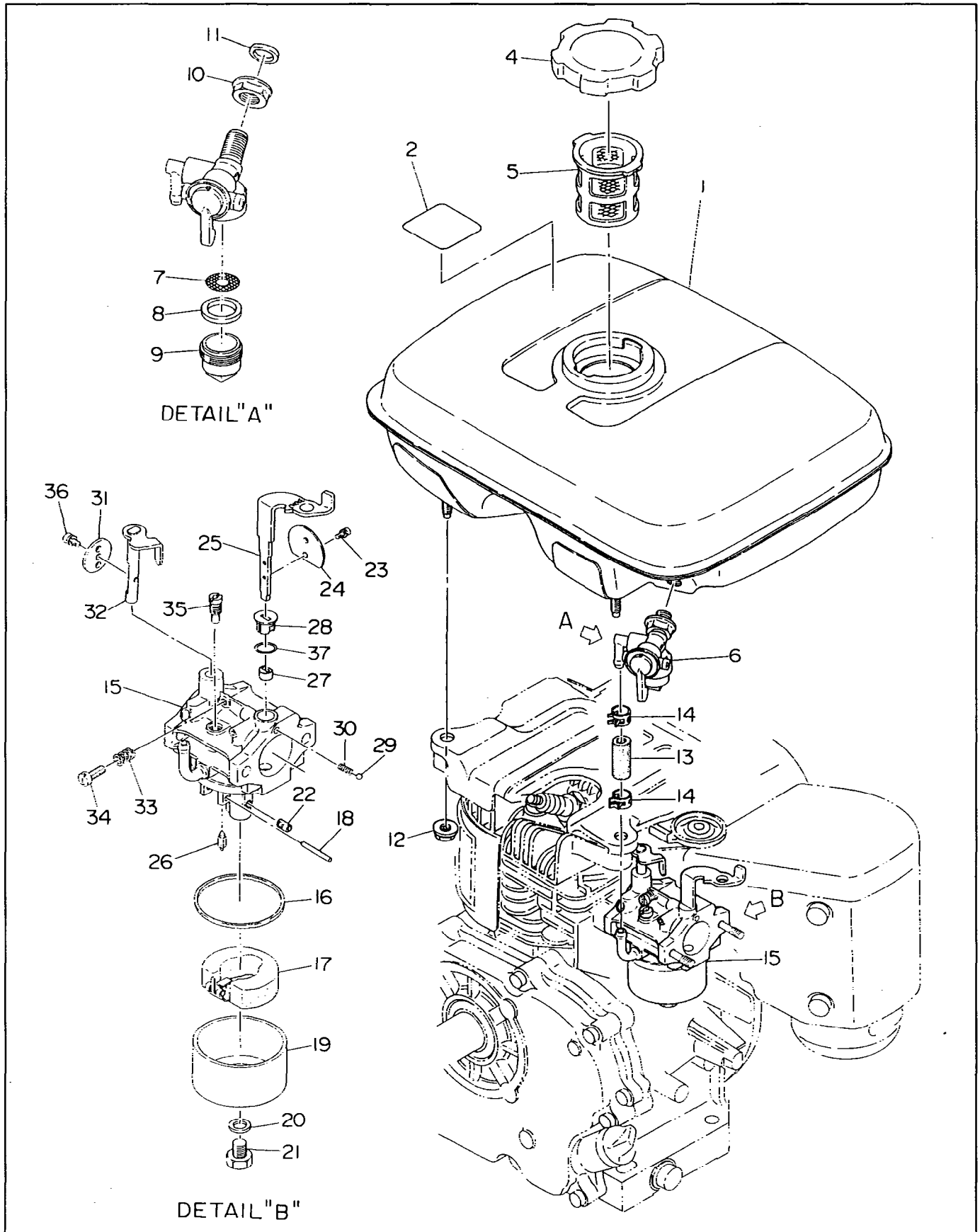


FIG. 8 ELECTRIC DEVICE

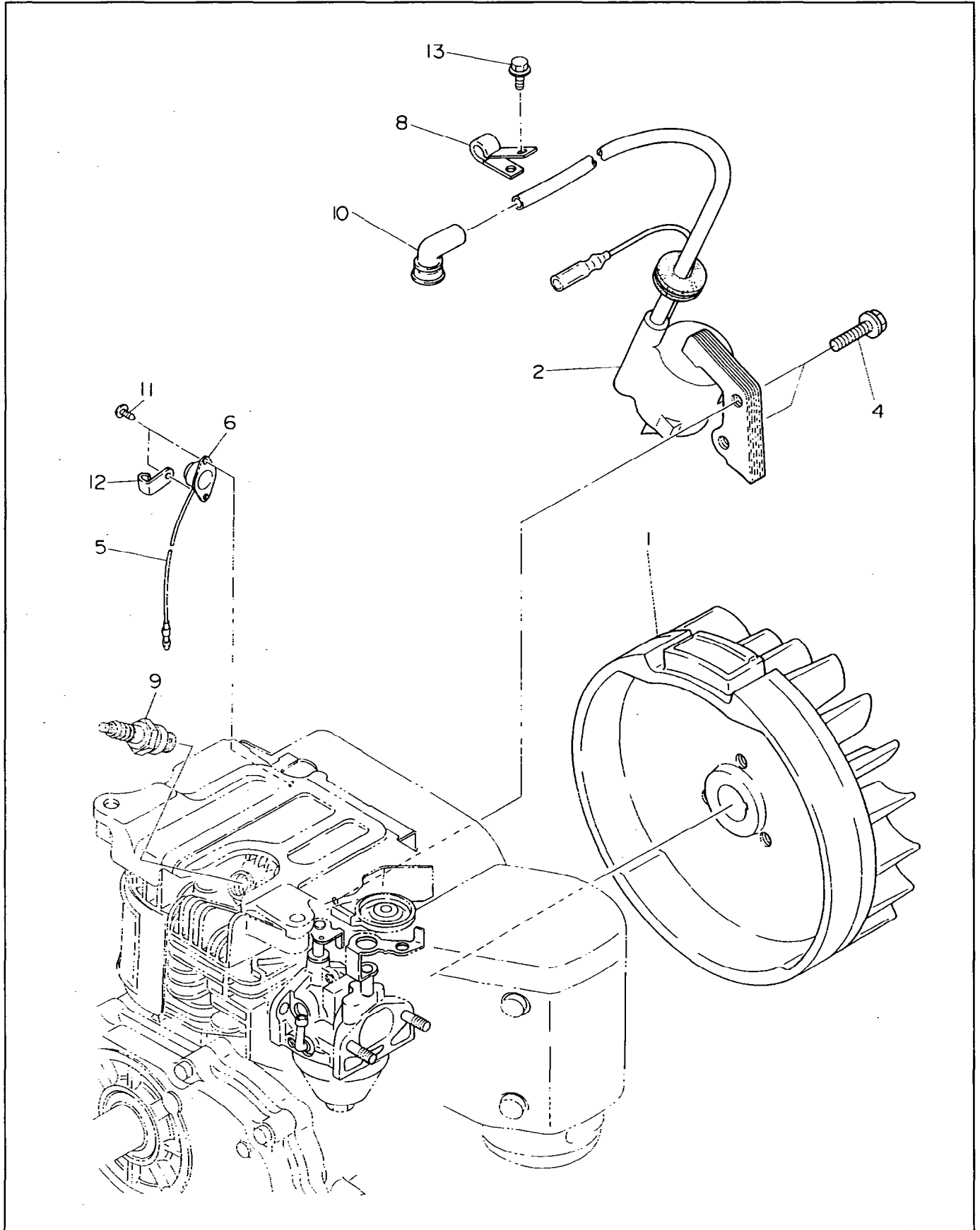


FIG. 9 OIL SENSOR(UP TO SEP. '92)

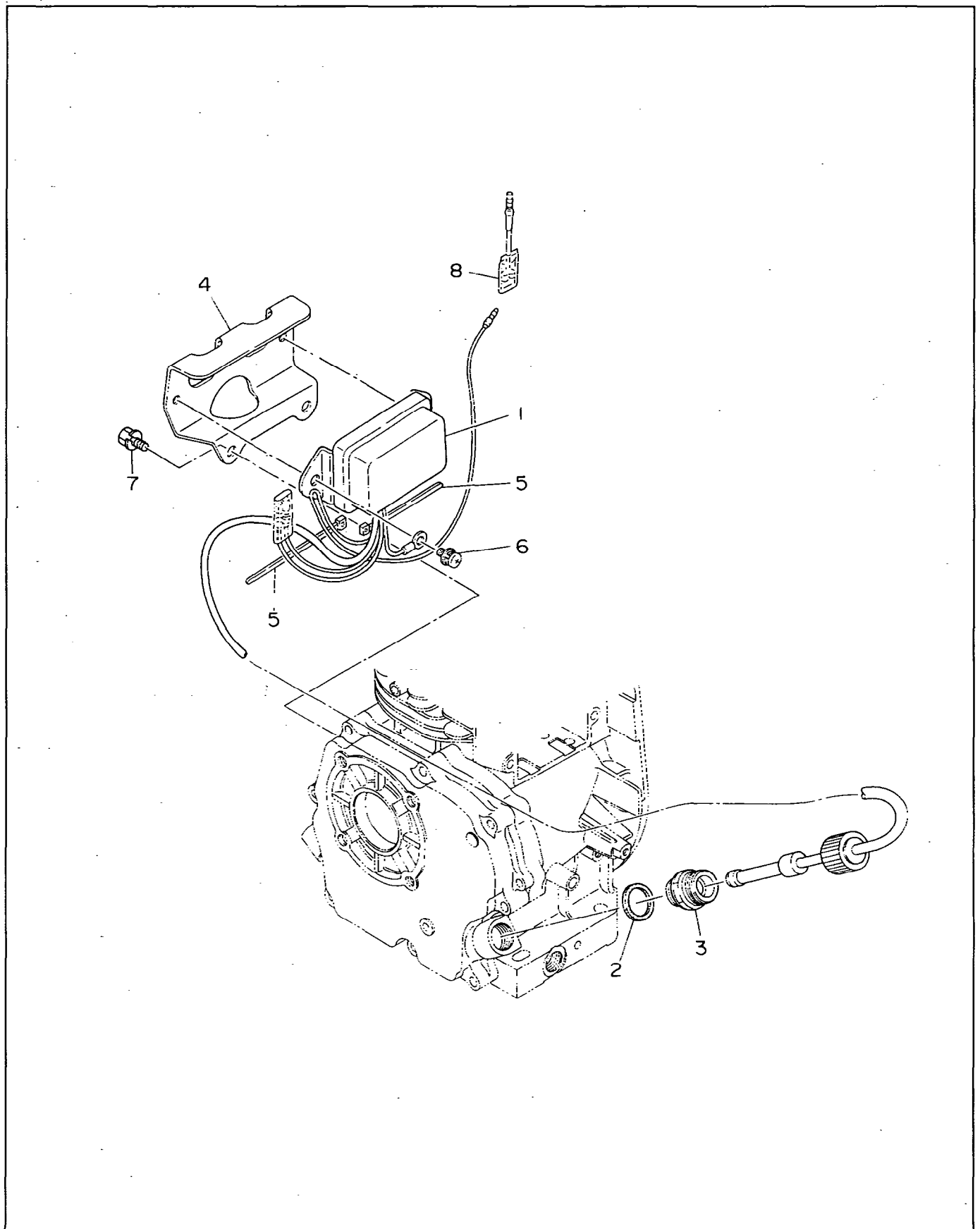


FIG. 9 OIL SENSOR(AFTER OCT. '92)

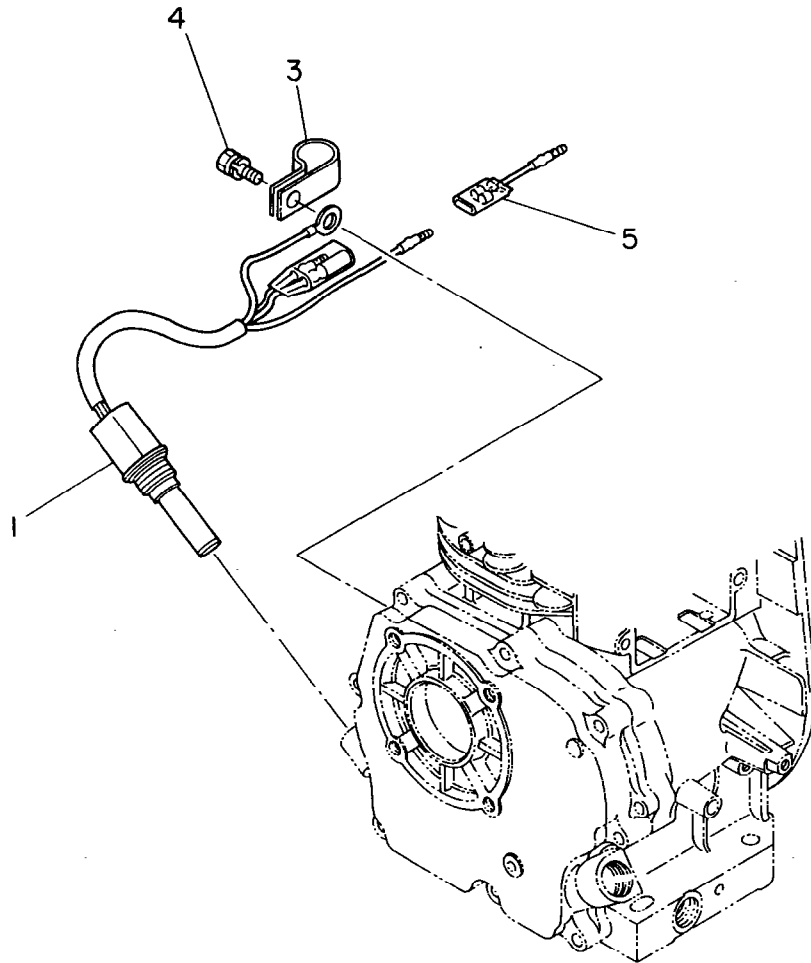


FIG. 10 ACCESSORIES

